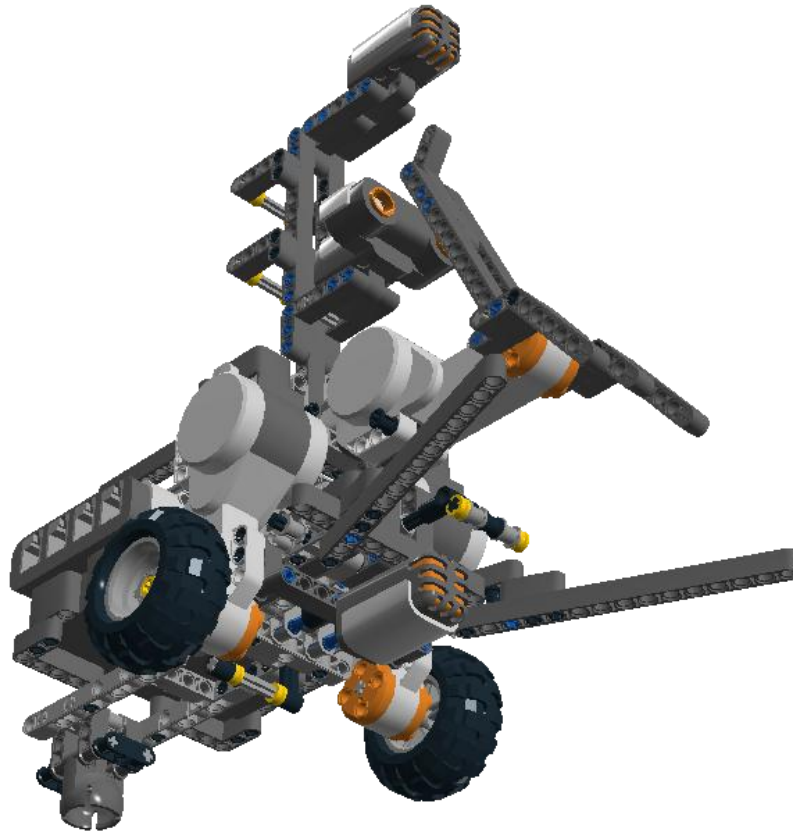
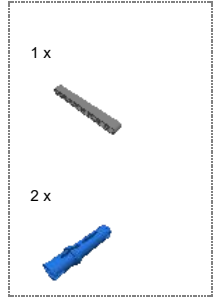


LEGO DIGITAL DESIGNER 4.2

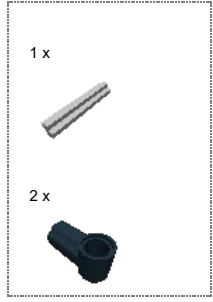
Model Name:
Bauanleitung Roberry
Number of Bricks: 246



Step 1 of 101



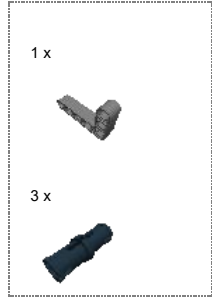
Step 2 of 101



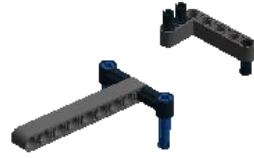
Step 3 of 101



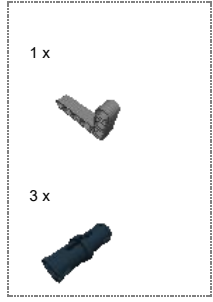
Step 4 of 101



Step 5 of 101



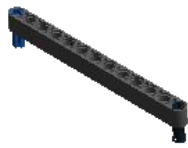
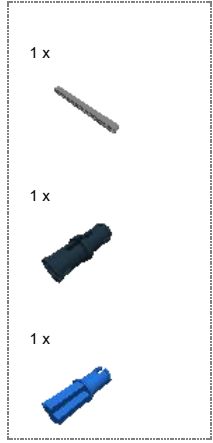
Step 6 of 101



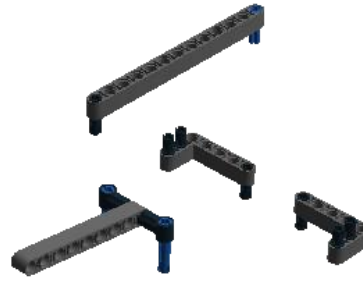
Step 7 of 101



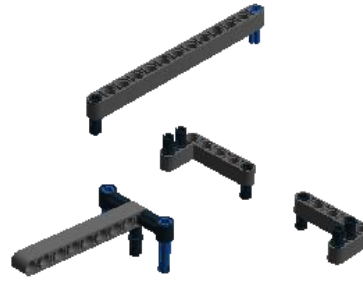
Step 8 of 101



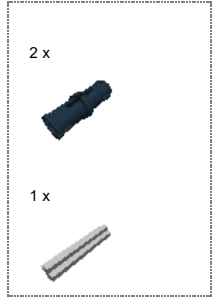
Step 9 of 101



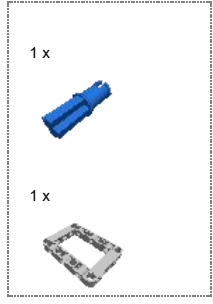
Step 10 of 101



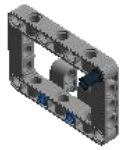
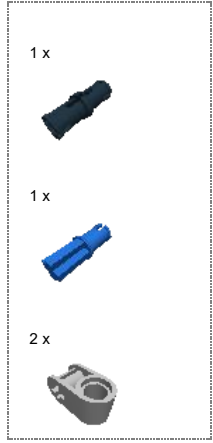
Step 11 of 101



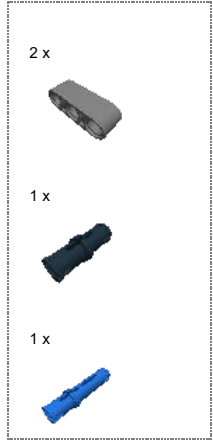
Step 12 of 101



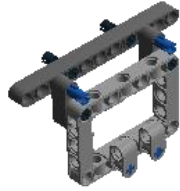
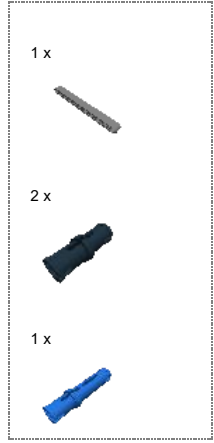
Step 13 of 101



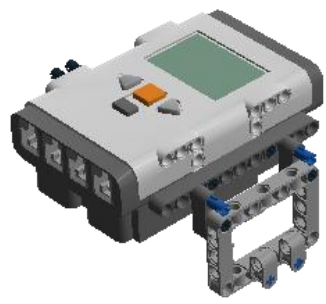
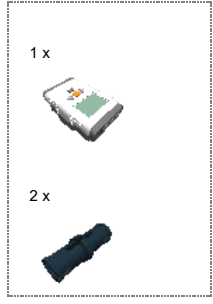
Step 14 of 101







Step 15 of 101



Step 16 of 101

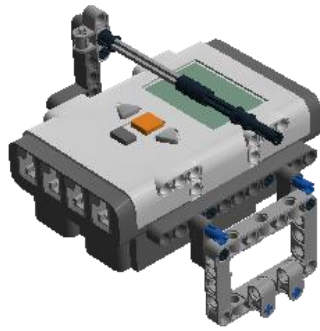
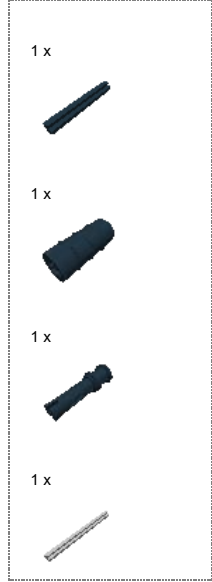


Step 17 of 101

- 1 x 
- 1 x 
- 1 x 
- 1 x 



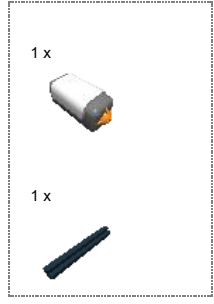
Step 18 of 101



Step 19 of 101



Step 20 of 101

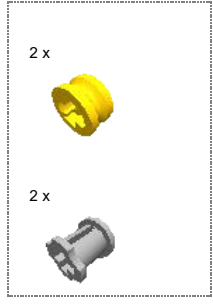


Step 21 of 101

- 1 x 
- 1 x 
- 1 x 
- 1 x 



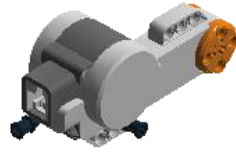
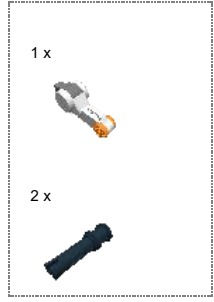
Step 22 of 101



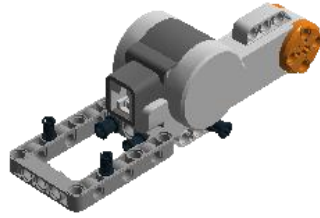
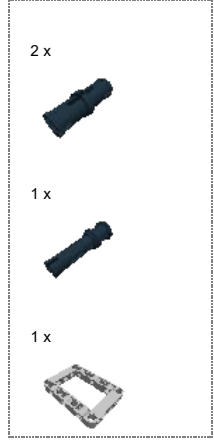
Step 23 of 101



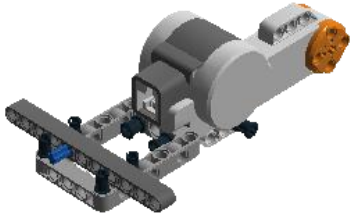
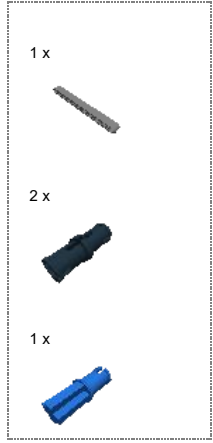
Step 24 of 101



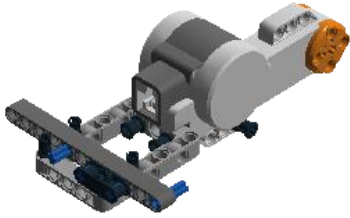
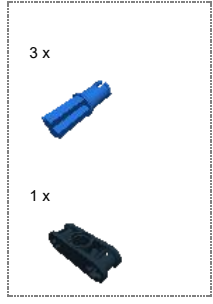
Step 25 of 101



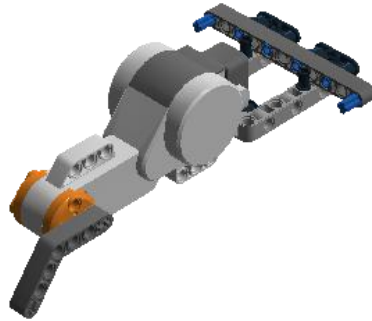
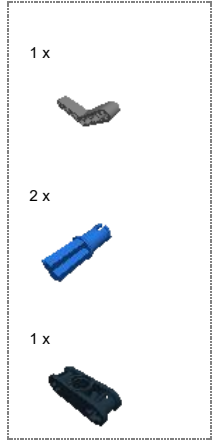
Step 26 of 101



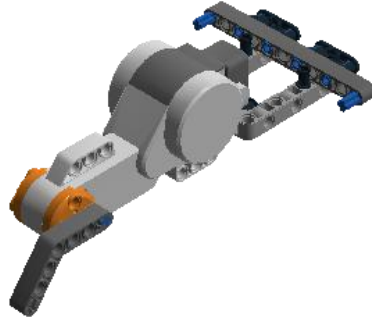
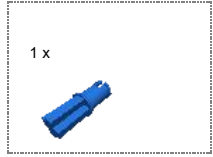
Step 27 of 101



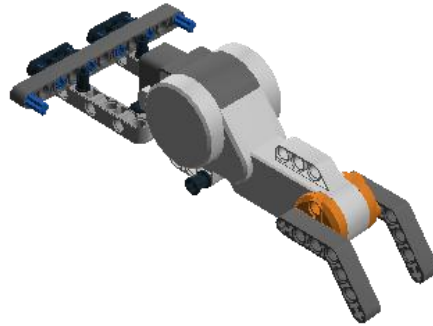
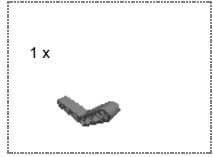
Step 28 of 101



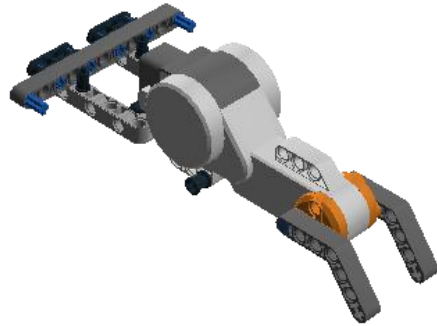
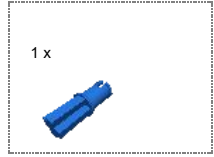
Step 29 of 101



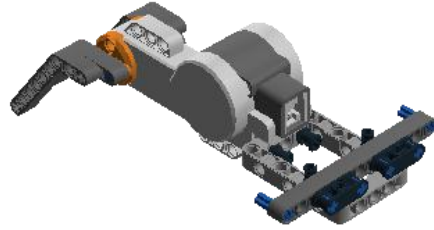
Step 30 of 101



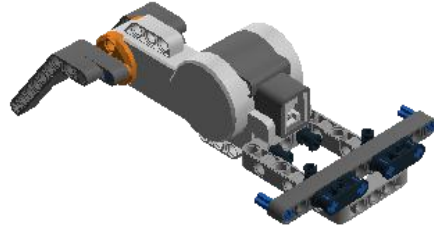
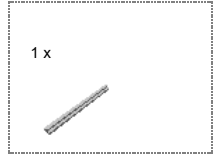
Step 31 of 101



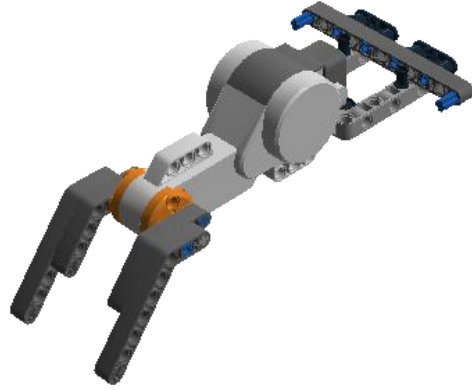
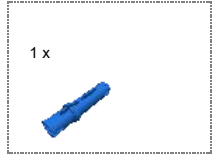
Step 32 of 101



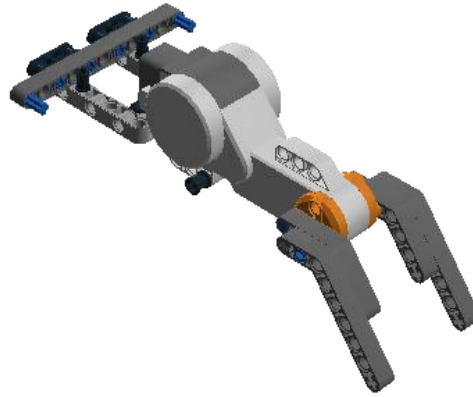
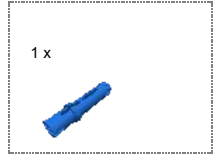
Step 33 of 101



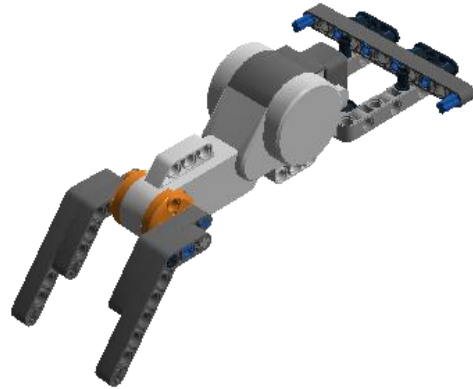
Step 34 of 101



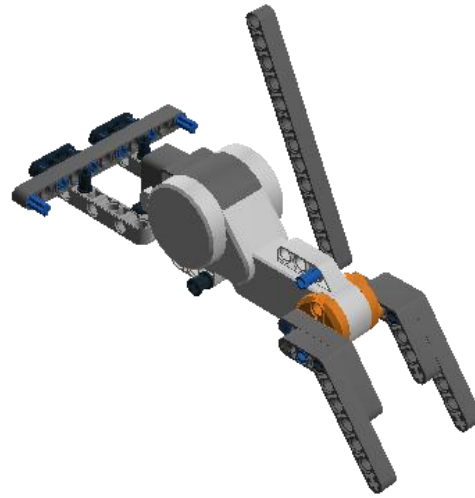
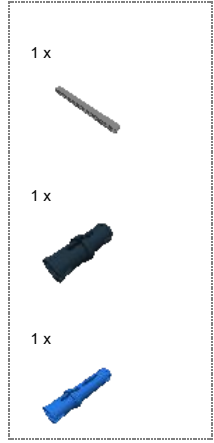
Step 35 of 101



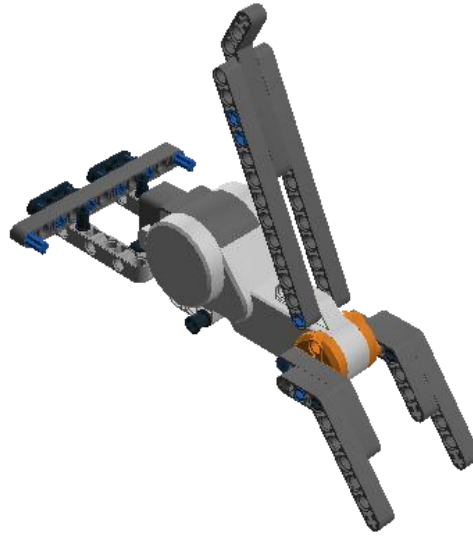
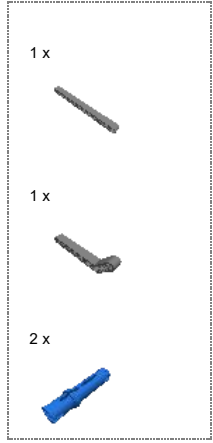
Step 36 of 101



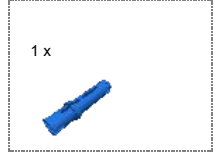
Step 37 of 101



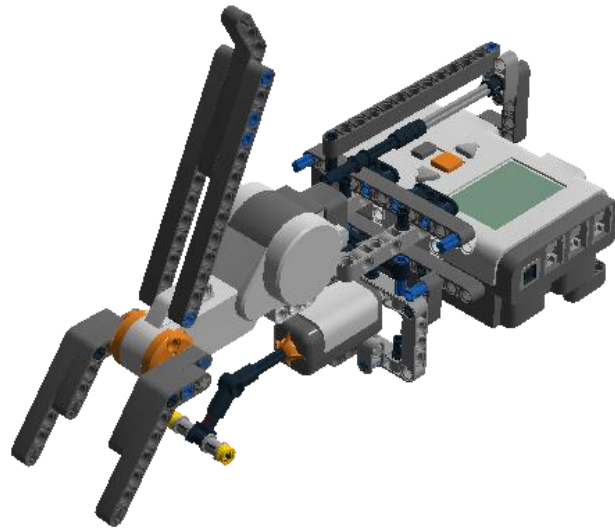
Step 38 of 101



Step 39 of 101



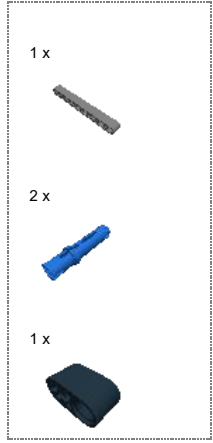
Step 40 of 101



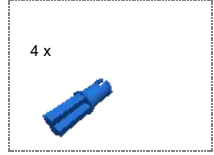
Step 41 of 101



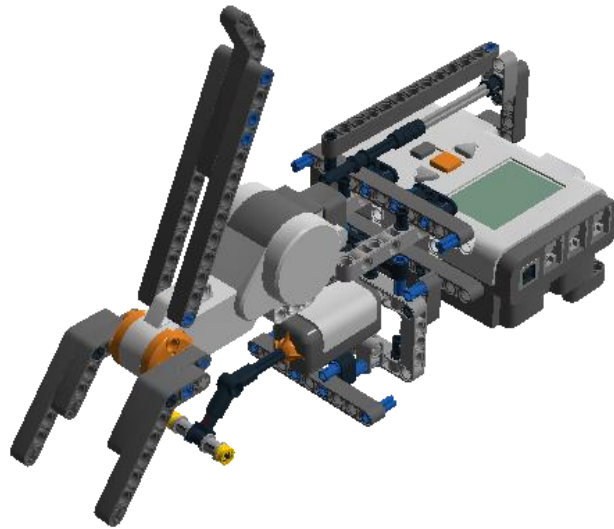
Step 42 of 101



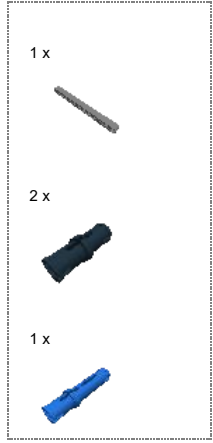
Step 43 of 101



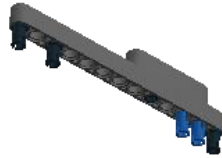
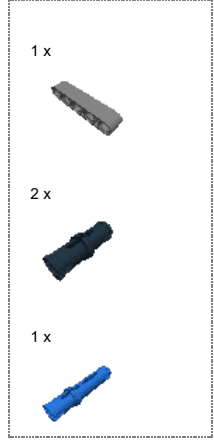
Step 44 of 101



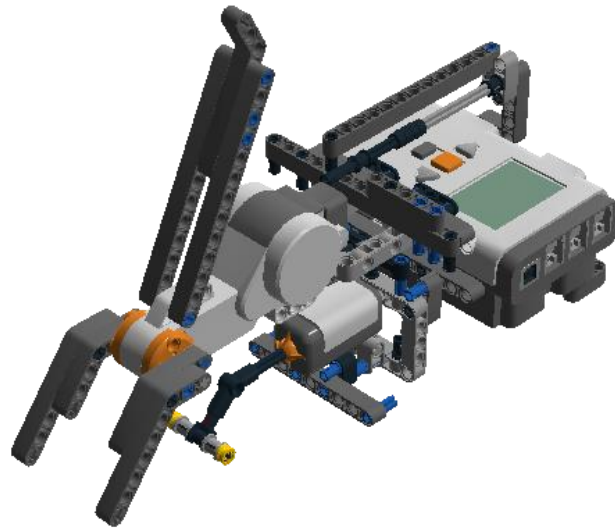
Step 45 of 101



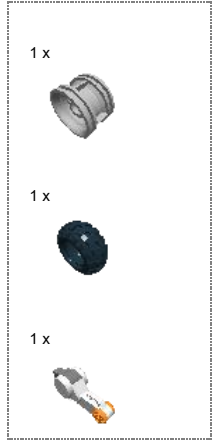
Step 46 of 101



Step 47 of 101



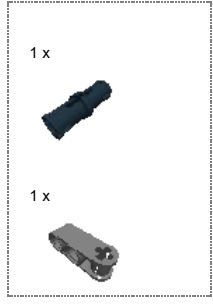
Step 48 of 101







Step 49 of 101

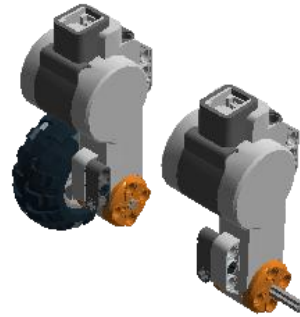


Step 50 of 101

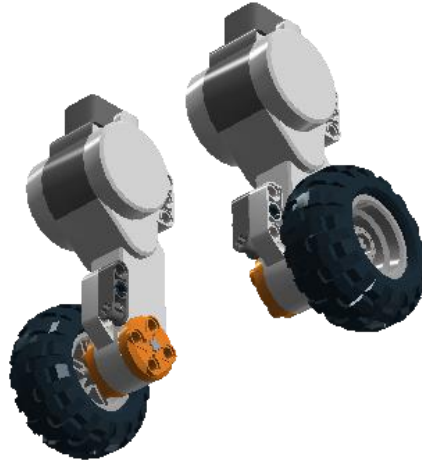
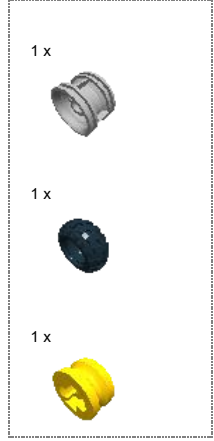


Step 51 of 101

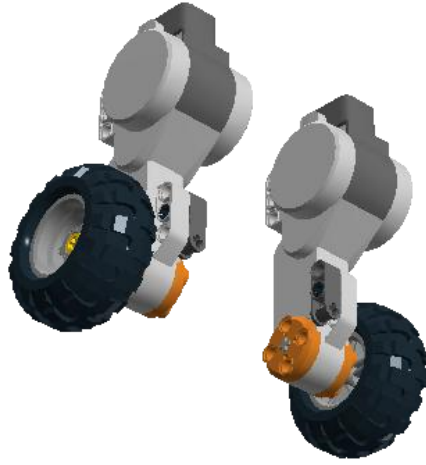
- 1 x 
- 1 x 
- 1 x 
- 1 x 



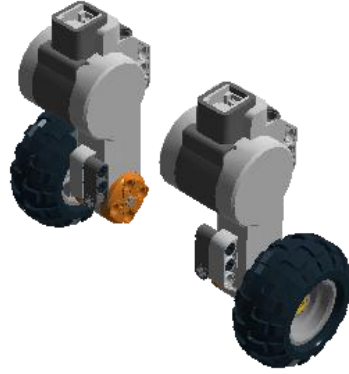
Step 52 of 101



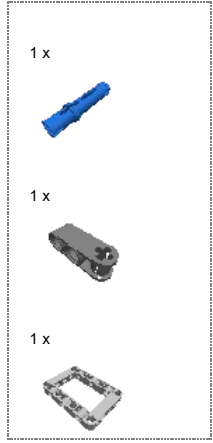
Step 53 of 101



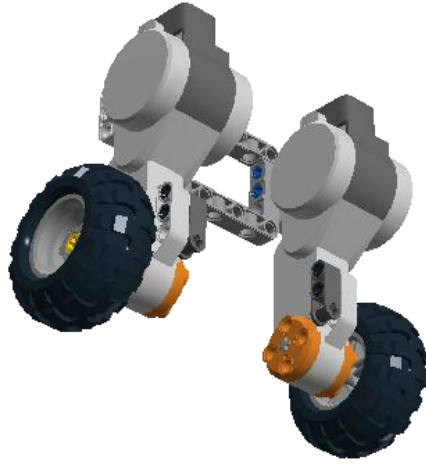
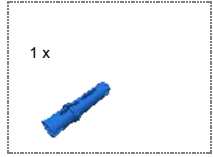
Step 54 of 101



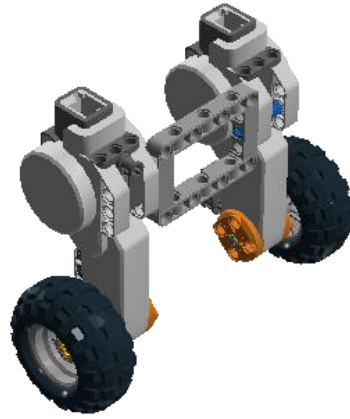
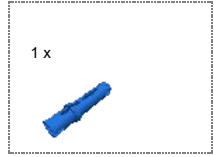
Step 55 of 101



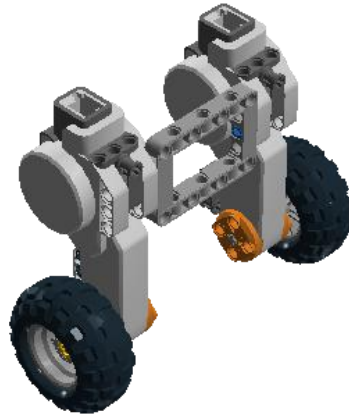
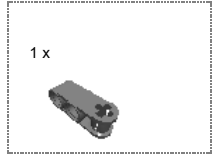
Step 56 of 101



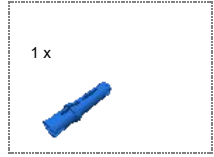
Step 57 of 101



Step 58 of 101



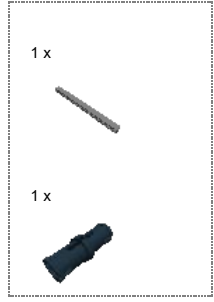
Step 59 of 101



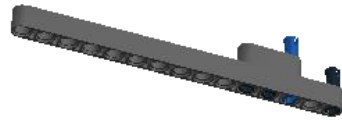
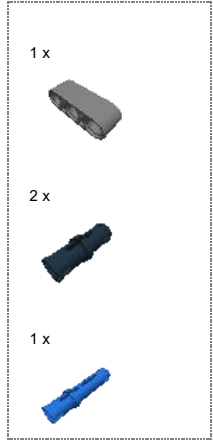
Step 60 of 101



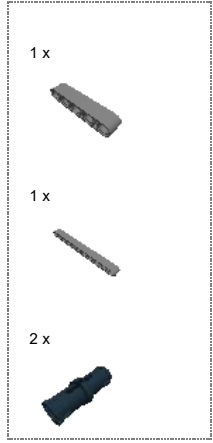
Step 61 of 101



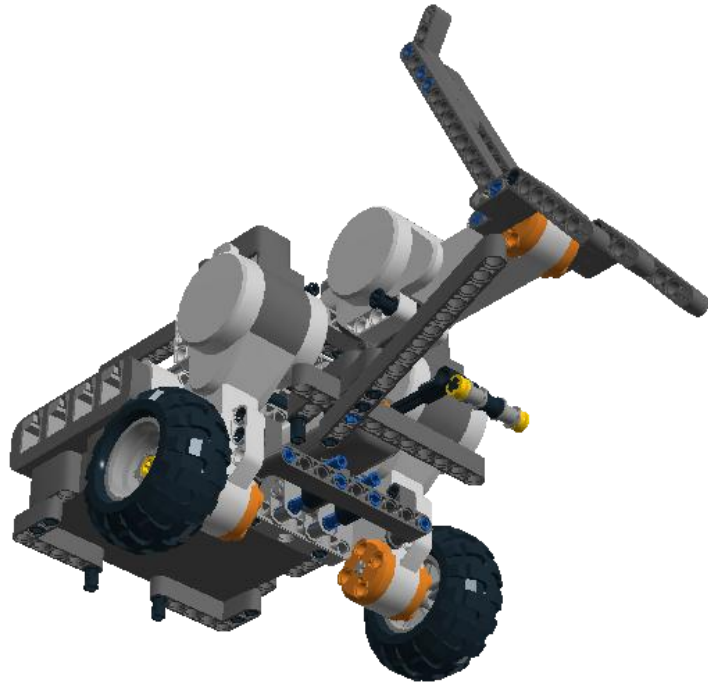
Step 62 of 101



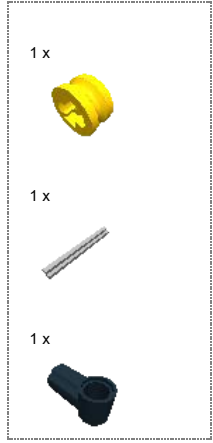
Step 63 of 101



Step 64 of 101



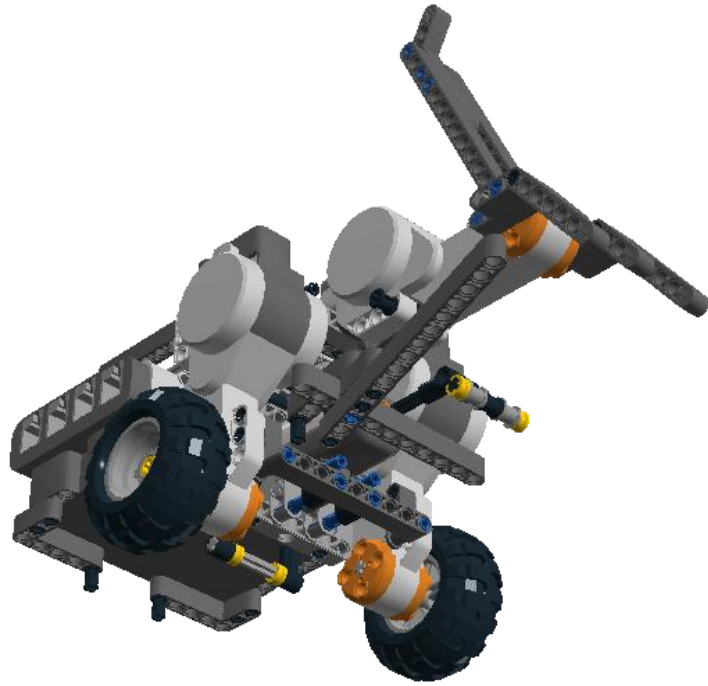
Step 65 of 101



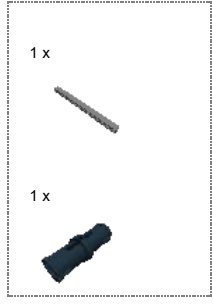
Step 66 of 101



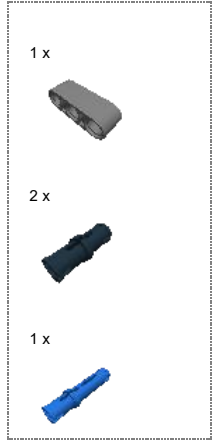
Step 67 of 101



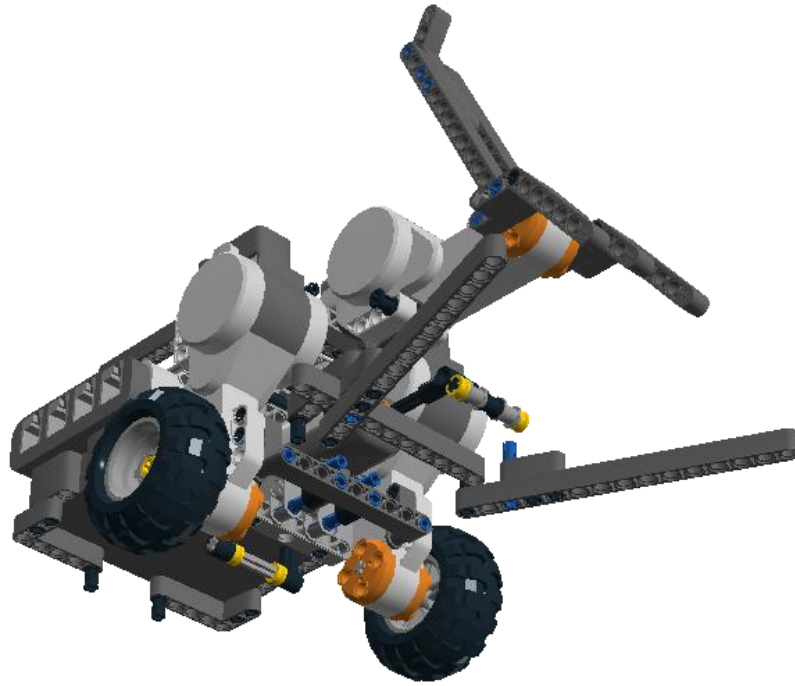
Step 68 of 101



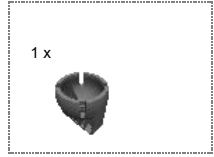
Step 69 of 101



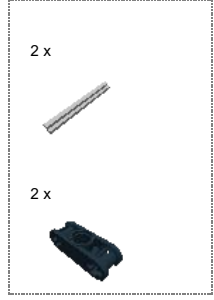
Step 70 of 101



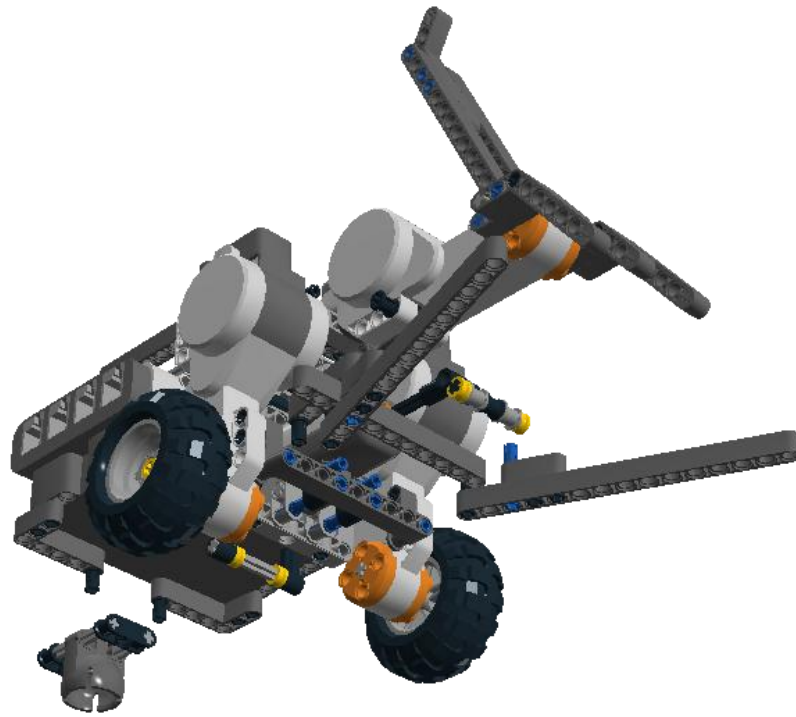
Step 71 of 101



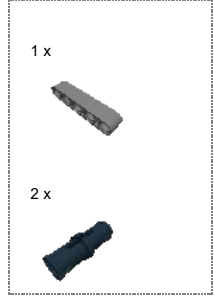
Step 72 of 101



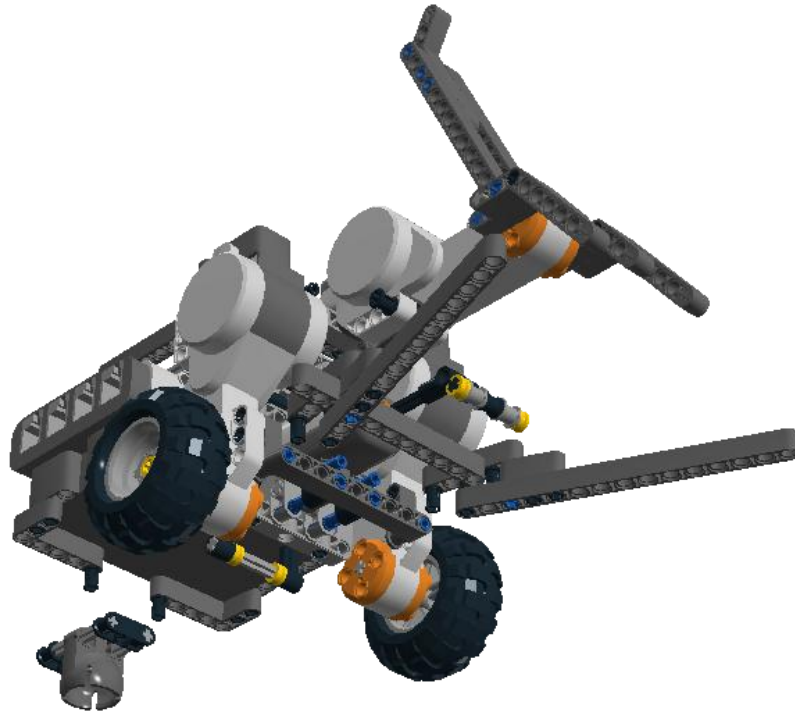
Step 73 of 101



Step 74 of 101



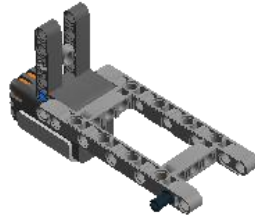
Step 75 of 101



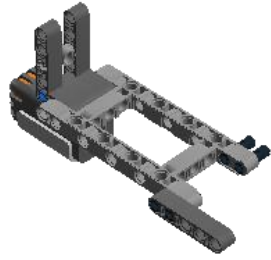
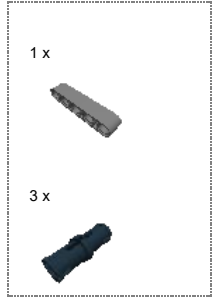
Step 76 of 101



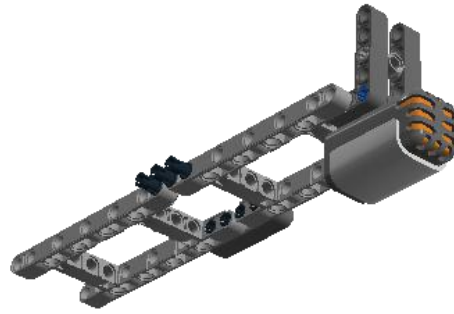
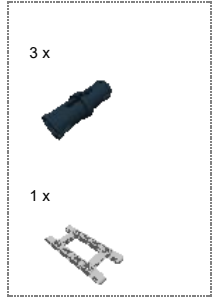
Step 77 of 101



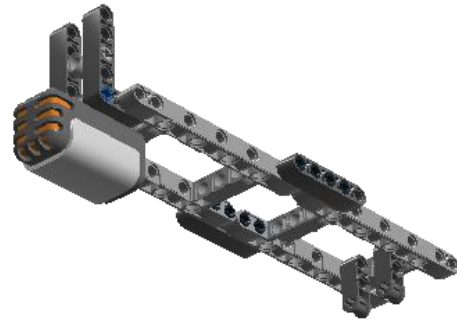
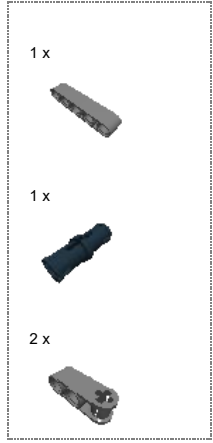
Step 78 of 101



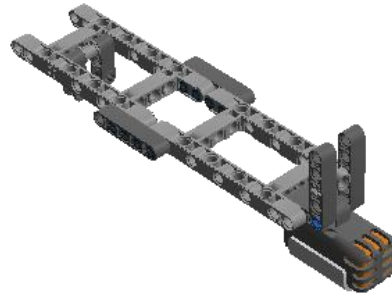
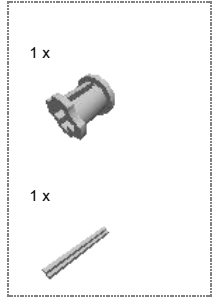
Step 79 of 101



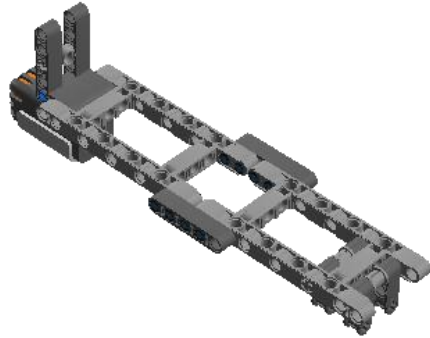
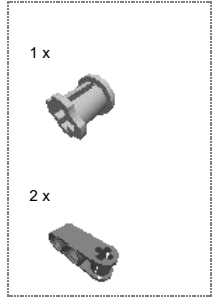
Step 80 of 101



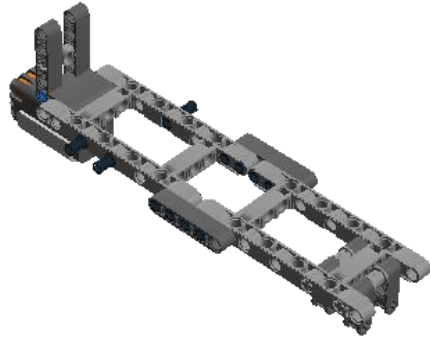
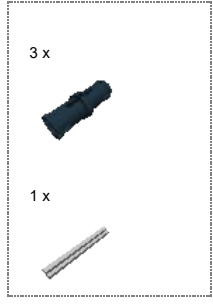
Step 81 of 101



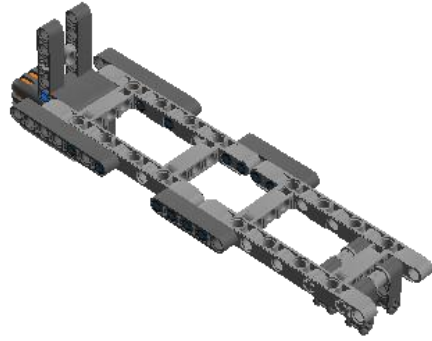
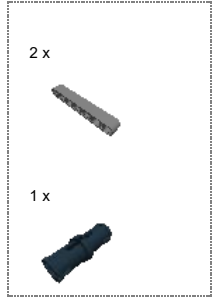
Step 82 of 101



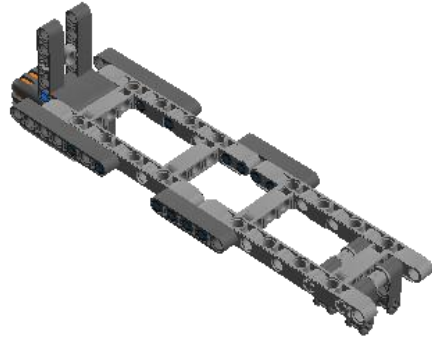
Step 83 of 101



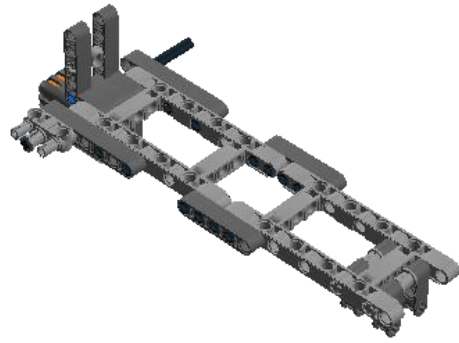
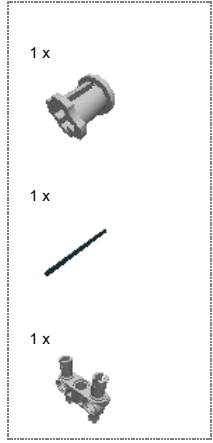
Step 84 of 101



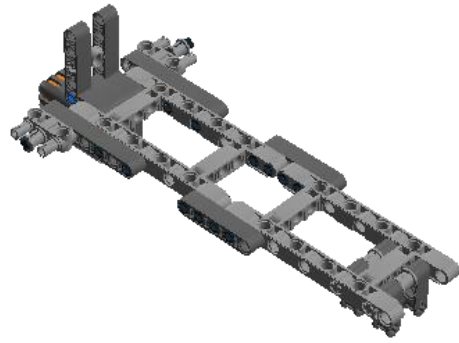
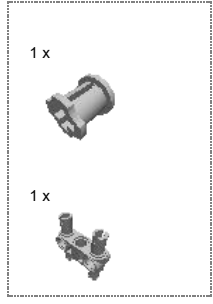
Step 85 of 101



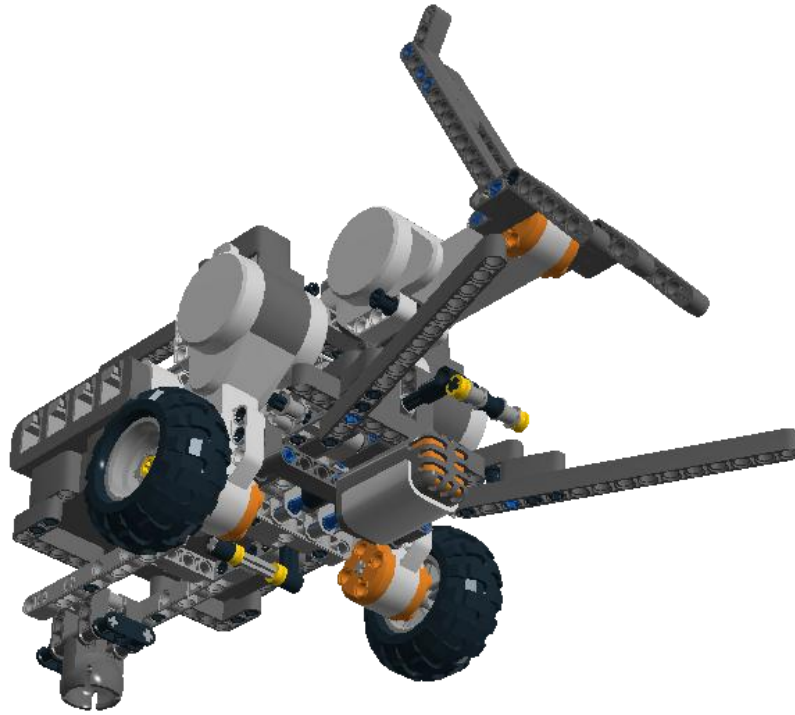
Step 86 of 101



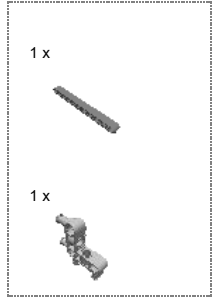
Step 87 of 101



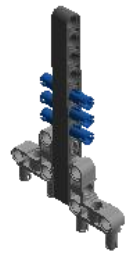
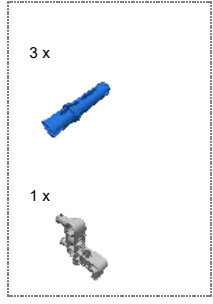
Step 88 of 101



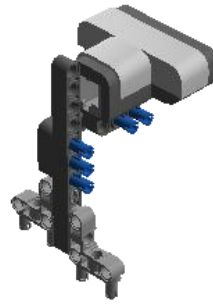
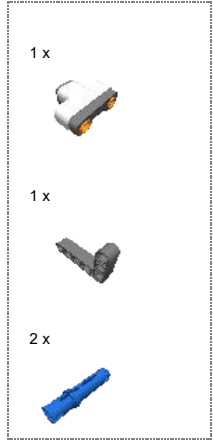
Step 89 of 101



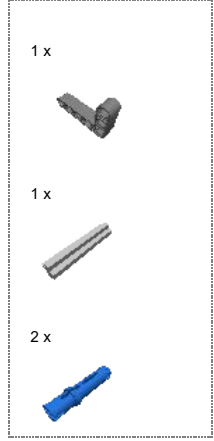
Step 90 of 101



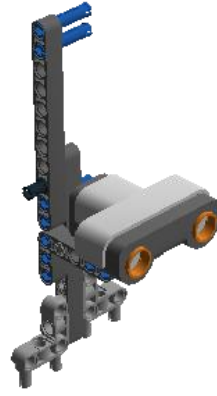
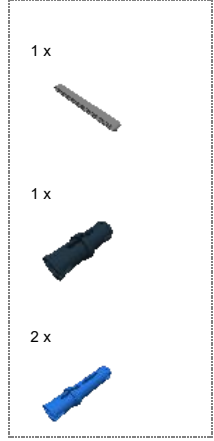
Step 91 of 101



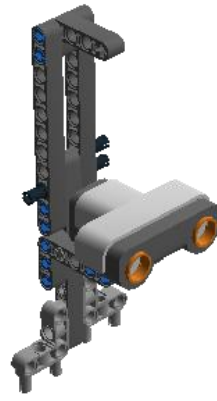
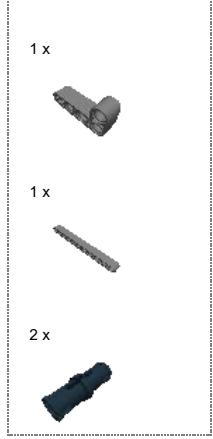
Step 92 of 101







Step 93 of 101

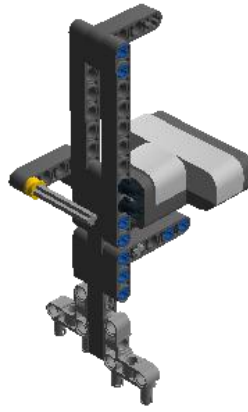


Step 94 of 101

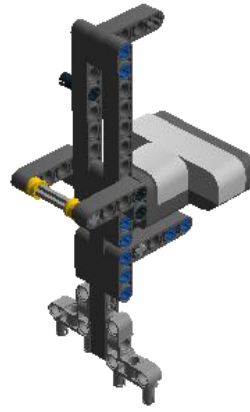
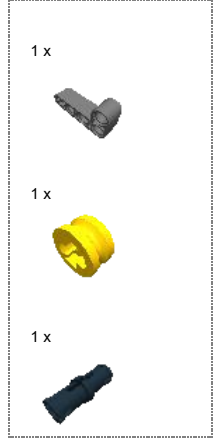


Step 95 of 101

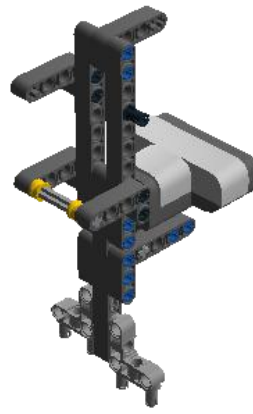
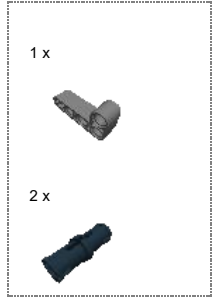
- 1 x 
- 1 x 
- 1 x 
- 1 x 



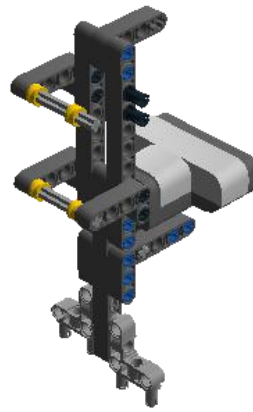
Step 96 of 101



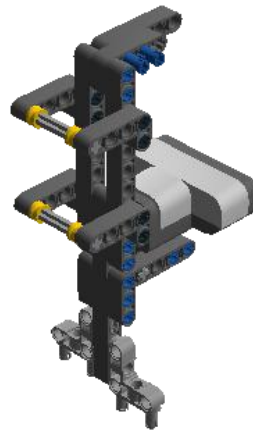
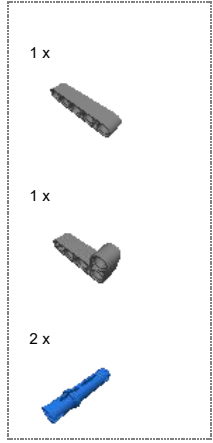
Step 97 of 101



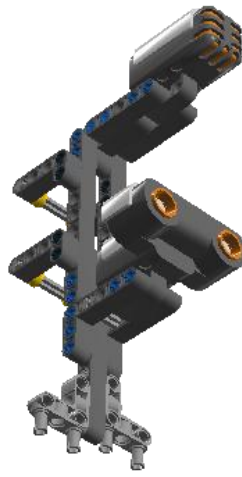
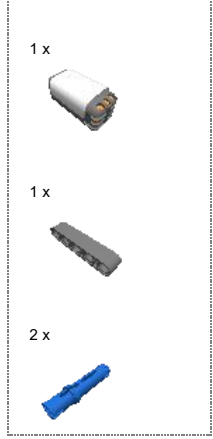
Step 98 of 101



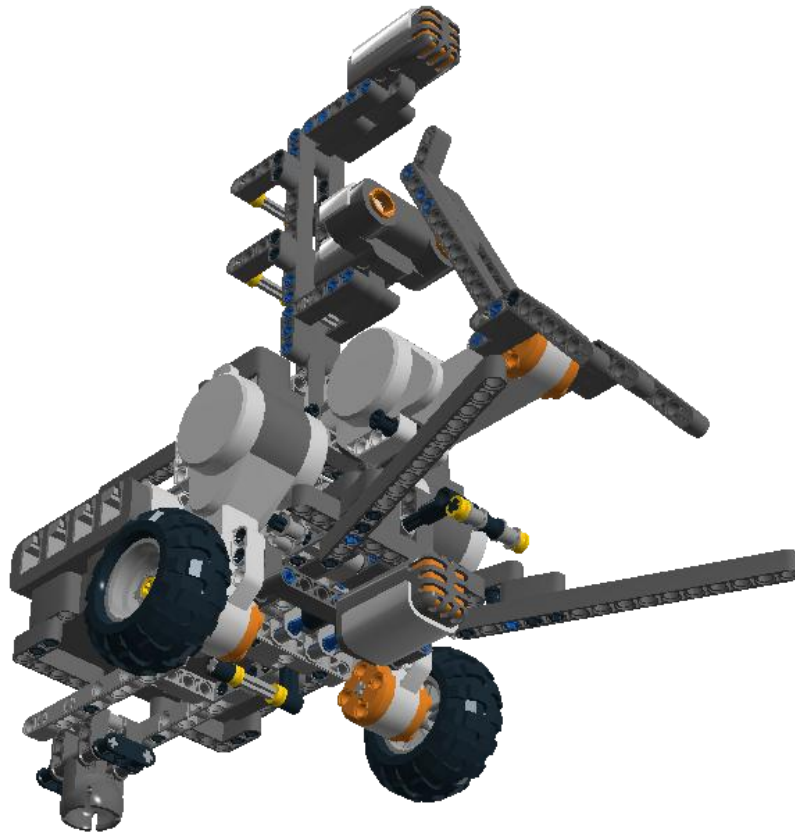
Step 99 of 101



Step 100 of 101




Step 101 of 101




2 x		4297210 RIM WIDE W.CROSS 30x20 - Mittel Steingrau	2 x		4297209 TYRE BALOON WIDE Ø56 X 26 - Schwarz	2 x		4296969 Soundsensor - Klares Orange, Mittel Steingrau, Dunkel Steingrau, Helles Steingrau
1 x		4296929 Push sensor - Klares Orange, Mittel Steingrau, Dunkel Steingrau, Helles Steingrau	1 x		4297174 Ultrasound sensor - Klares Orange, Mittel Steingrau, Dunkel Steingrau, Helles Steingrau	3 x		4297008 Tacho Motor - Klares Orange, Dunkel Steingrau, Helles Steingrau
1 x		6034375 NXT - Schwarz, Klares Orange, Grün Sandfarbe, Mittel Steingrau, Dunkel Steingrau, Helles Steingrau, Cool Silber,	4 x		4210751 TECHNIC 3M BEAM - Dunkel Steingrau	7 x		4210686 TECHNIC 5M BEAM - Dunkel Steingrau
			2 x		4495931 TECHNIC 7M BEAM - Dunkel Steingrau	5 x		4210667 TECHNIC ANG. BEAM 4X2 90 DEG - Dunkel Steingrau
2 x		4210757 TECHNIC 9M BEAM - Dunkel Steingrau	6 x		4210755 TECHNIC 11M BEAM - Dunkel Steingrau	4 x		4522937 TECHNIC 13M BEAM - Dunkel Steingrau
2 x		4542576 TECHNIC 15M BEAM - Dunkel Steingrau	7 x		4210753 TECHNIC ANG. BEAM 3X5 90 DEG. - Dunkel Steingrau	2 x		4210656 TECHNIC ANGULAR BEAM 4X4 - Dunkel Steingrau
3 x		4210673 TECHNIC ANGULAR BEAM 3X7 - Dunkel Steingrau	12 x		4239601 1/2 BUSH - Klares Gelb	1 x		4142865 2M CROSS AXLE W. GROOVE - Klares Rot
61 x		4121715 CONNECTOR PEG W. FRICTION - Schwarz	3 x		4211815 CROSS AXLE 3M - Mittel Steingrau	6 x		4211622 BUSH FOR CROSS AXLE - Mittel Steingrau
17 x		4206482 CONN.BUSH W.FRIC./CROSSALE - Klares Blau	3 x		370526 CROSS AXLE 4M - Schwarz	1 x		4107083 CROSS AXLE, EXTENSION M/3 RIBS - Schwarz
34 x		4514553 CONNECTOR PEG W. FRICTION 3M - Klares Blau	1 x		4107081 CATCH W. CROSS HOLE - Schwarz	10 x		4211639 CROSS AXLE 5M - Mittel Steingrau
2 x		4211775 CROSS BLOCK 90° - Mittel Steingrau	4 x		4107085 ANGLE ELEMENT, 0 DEGREES [1] - Schwarz	2 x		6006140 BEAM 1X2 W/CROSS AND HOLE - Schwarz
5 x		4107742 2M FRIC. SNAP W/CROSS HOLE - Schwarz	2 x		4211805 CROSS AXLE 7M - Mittel Steingrau	4 x		4121667 DOUBLE CROSS BLOCK - Schwarz
8 x		4210857 CROSS BLOCK 3M - Dunkel Steingrau	1 x		4560175 DOUBLE BUSH 3M Ø4.9 - Mittel Steingrau	1 x		370826 CROSS AXLE 12M - Schwarz
1 x		4121610 ANGLE ELEMENT 135 DEG. [4] - Schwarz	1 x		4538007 CROSS BLOCK 3X2 - Mittel Steingrau	2 x		4225033 BEAM 3 M. W/4 SNAPS - Mittel Steingrau



2 x  4296059 Angular beam 90degr. w.4
snaps - Mittel Steingrau

1 x  4610380 POWER JOINT - Dunkel
Steingrau

3 x  4539880 BEAM FRAME 5X7 Ø 4.85 -
Mittel Steingrau

2 x  4540797 BEAM H. FRAME 5X11
Ø4.85 - Mittel Steingrau

© 2012 The LEGO Group. All rights reserved.
Use of the LEGO Digital Designer html print tool, signifies your agreement to the terms of use.